

DCC Affordable Residential Electric Vehicle (EV) Charging Installations

WHY?

Panel upgrades are **expensive for homeowners** and limit EV charging installations. For condo owners, it's **impossible to access** the panel of the unit and the power available is limited.

WHAT?

The DCC is an **electrical component** that makes electric vehicle charging affordable and feasible for both the condo and the homeowner.

HOW?

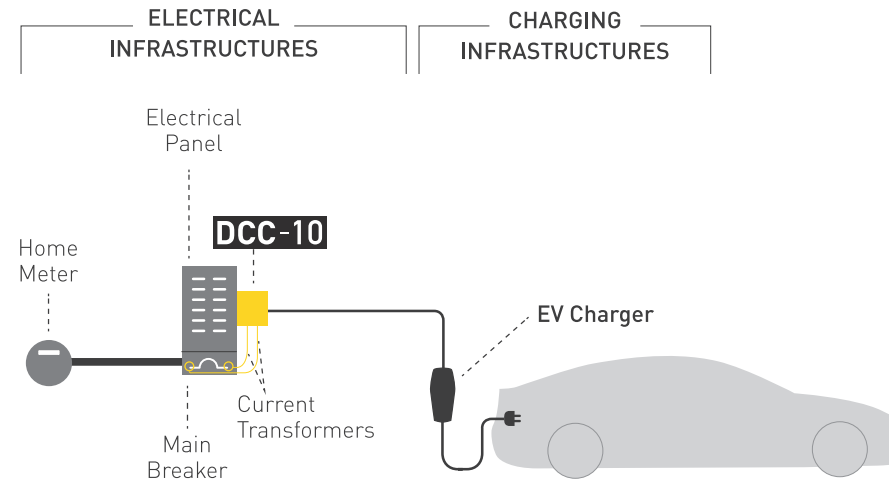
The DCC allows the connection of any EV charger to a fully load panel by managing the energy available in real time, whether in a home or condo. DCC's will only allow power to be delivered to the EV charger if the total demand of the panel is below full capacity.

In a condo, the DCC can be installed in the electrical room, making the EV charging connection to the electrical infrastructure possible. All electricity consumed is directly and automatically billed to the unit.

Enable EV charging installations everywhere by informing your customers about the DCC.

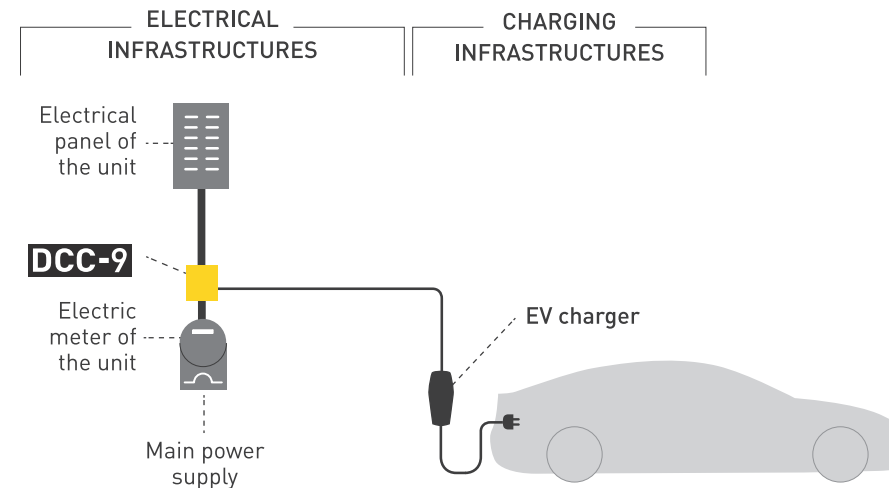
DCC-10

The DCC-10 allows the connection of an EV charger to a home electrical panel that otherwise would not have sufficient capacity to allow the connection.



DCC-9

The DCC-9 is for multi-unit residential buildings. It connects an EV charger to the unit's main power line when the electricity meter is accessible from the parking spaces.



Compatible with
ALL EV CHARGERS



1-833-717-1355
dcelectric.com

